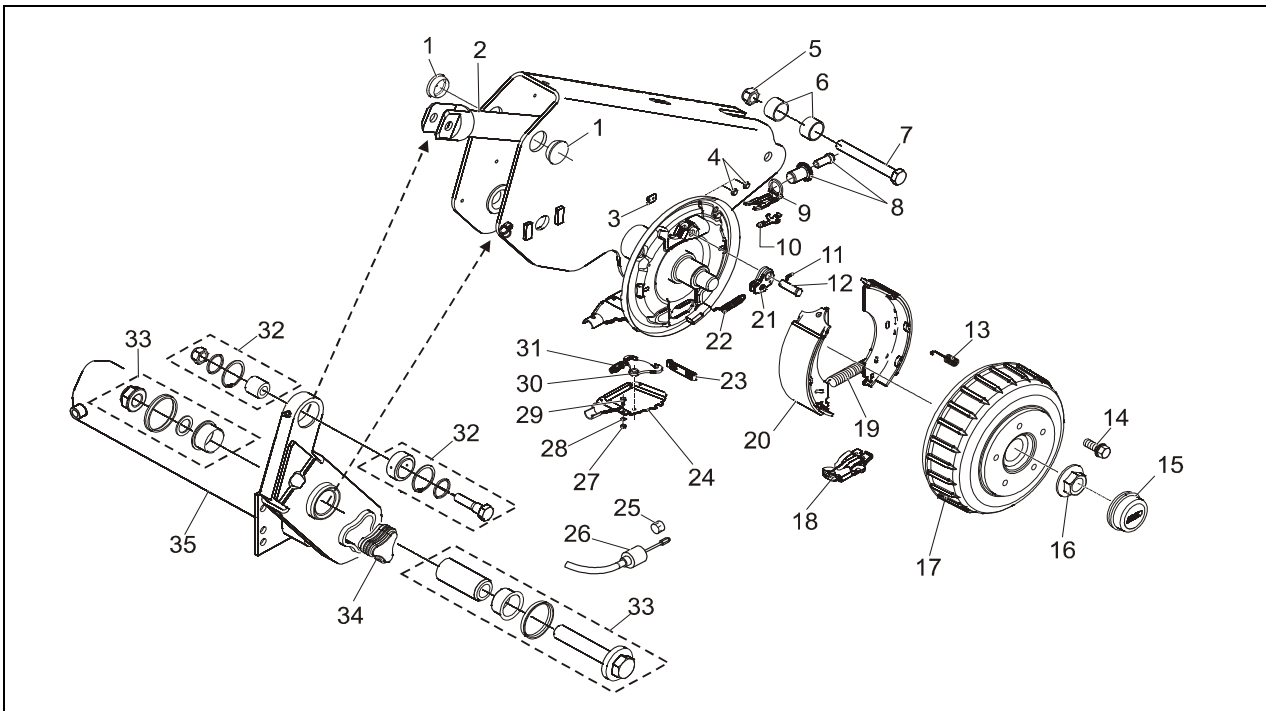


AXLE LOWERABLE ASB1800 O HYD REDIR90

ETI- Nr. 811592 (Specify the order with the ETI No.)

AL-KO
Spare Parts



Item	Description	Drawing-No.
1	STOPPER	583615
2	HYDRAULIC CYLINDER	645541
3	COVER PLATE	2382610002
4	STOPPER	373245
5	NUT 6KT M16 DIN 985-10 A3C	702801
6	BUSH	583599
7	BOLT 6KT M16x130 DIN 931-10 A3C	703151
8	ADJUSTIN BOLT AND ADJUSTING NUT CPL	21873708
9	COMPRESSION BINDER	368361
10	FLAT SPRING	368405
11	SPLINT 4x20 DIN 94	700192
12	BEARING BOLT	368651
13	COMPRESSION SPRING	2088800003
14	SPHERIC WHEEL BOLT M12x1,5	2081670020
15	END CUP	582505
16	FLANGE NUT	582506
17	BRAKE DRUM	573194
18	SPREAD HINGE LOCK CPL	571510
19	TENSION SPRING	2082000007
20	SET BRAKE JAW	1213890
21	AUTO-REVERSE LEVER LEFT AUTO-REVERSE LEVER RIGHT	571386 571387
22	TENSION SPRING	2187370003
23	MOUNTING EYELET SPECIAL	1361692
24	BOWL CPL LEFT BOWL CPL RIGHT	692367 692368

Item	Description	Drawing-No.
25	CAP	371389
26	MOUNTABLE BOWDEN CABLE 890/1086 LG	1221288
	MOUNTABLE BOWDEN CABLE 1020/1216 LG	1221289
	MOUNTABLE BOWDEN CABLE 1130/1326 LG	1221290
	MOUNTABLE BOWDEN CABLE 1320/1516 LG	1221291
	MOUNTABLE BOWDEN CABLE 1430/1626 LG	1221292
	MOUNTABLE BOWDEN CABLE 1620/1816 LG	1221293
	MOUNTABLE BOWDEN CABLE 1790/1986 LG	1221294
27	BOLT 6KT M5x12 DIN933	703564
28	LOCKWASHER B5 DIN127	704303
29	NUT 6KT M5 DIN934	703028
30	BELL CRANKE	692415
31	MOUNTING EYELET	604262
32	SPARE PARTS SET	245097
33	SPARE PARTS SET	245096
34	COVERING CAP	375901
35	SWING ARM LEFT LI KPL MONT CONTAINS SPARE PART SET POS 40/41	573943
	SWING ARM RIGHT KPL MONT CONTAINS SPARE PART SET POS 40/41	573944

The retail sale of brake jaws is not permissible by EU Directive from 01. Oct. 2002

ATTENTION POS 3, 13, 19 oddly orderable or in set brake jaw 1213890 contained.

provided	ETI-No.	changed	Change-No.	Reason of the change	Revisions-No.
27.07.10	811592_en		FREIGABE		A