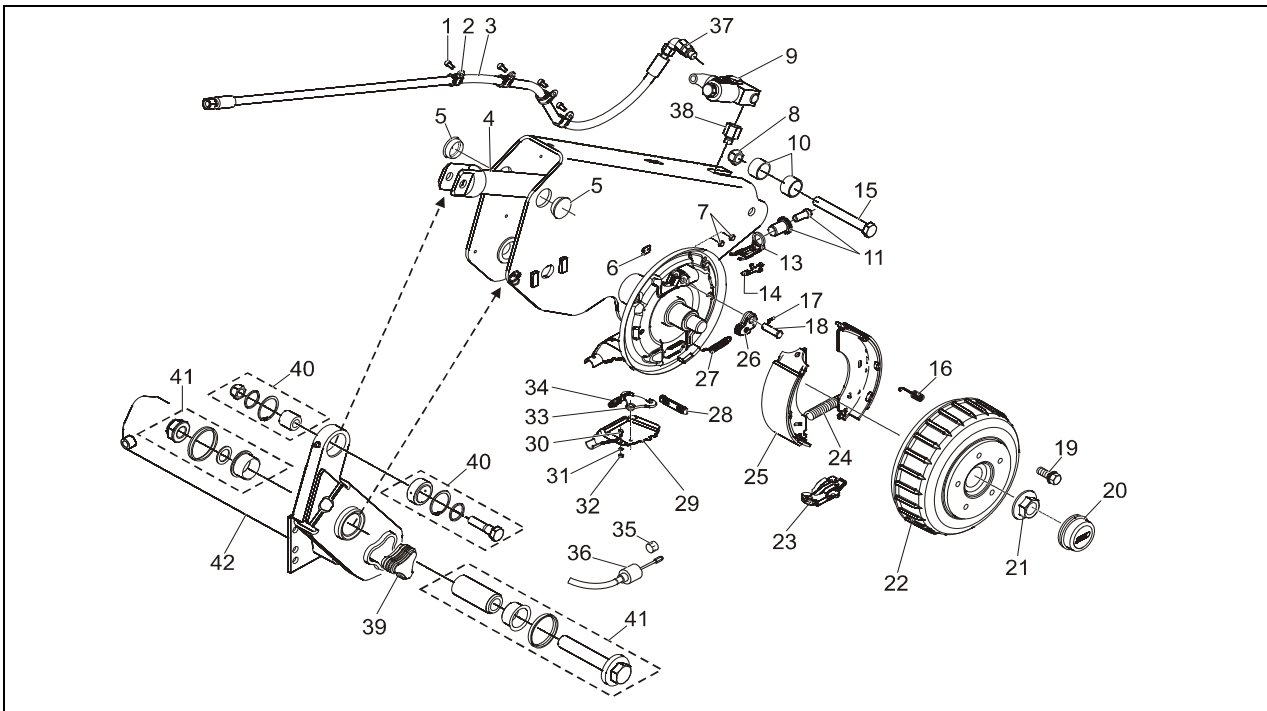


AXLE LOWERABLE ASB1800 M HYD REDIR90

ETI- Nr. 811591

(Specify the order with the ETI No.)

AL-KO
Spare Parts



| Item | Description | Drawing-No. |
|------|--|-------------|
| 1 | SFS - TAPT 6x12 | 510433 |
| 2 | BRACKET | 583597 |
| 3 | HYDRAULIC TUBE | 623704 |
| 4 | HYDRAULIC CYLINDER | 645541 |
| 5 | STOPPER | 583615 |
| 6 | COVER PLATE | 2382610002 |
| 7 | STOPPER | 373245 |
| 8 | NUT 6KT M16 DIN 985-10 A3C | 702801 |
| 9 | BACK PRESSURE VALVE | 606442 |
| 10 | BUSH | 583599 |
| 11 | ADJUSTIN BOLT AND ADJUSTING NUT CPL | 21873708 |
| 13 | COMPRESSION BINDER | 368361 |
| 14 | FLAT SPRING | 368405 |
| 15 | BOLT 6KT M16x130 DIN 931-10 A3C | 703151 |
| 16 | COMPRESSION SPRING | 2088800003 |
| 17 | SPLINT 4x20 DIN 94 | 700192 |
| 18 | BEARING BOLT | 368651 |
| 19 | SPHERIC WHEEL BOLT M12x1,5 | 2081670020 |
| 20 | END CUP | 582505 |
| 21 | FLANGE NUT | 582506 |
| 22 | BRAKE DRUM | 573194 |
| 23 | SPREAD HINGE LOCK CPL | 571510 |
| 24 | TENSION SPRING | 2082000007 |
| 25 | SET BRAKE JAW | 1213890 |
| 26 | AUTO-REVERSE LEVER LEFT | 571386 |
| | AUTO-REVERSE LEVER RIGHT | 571387 |

| Item | Description | Drawing-No. |
|------|-------------------------------------|-------------|
| 27 | TENSION SPRING | 2187370003 |
| 28 | MOUNTING EYELET SPECIAL | 1361692 |
| 29 | BOWL CPL LEFT | 692367 |
| | BOWL CPL RIGHT | 692368 |
| 30 | BOLT 6KT M5x12 DIN933 | 703564 |
| 31 | LOCKWASHER B5 DIN127 | 704303 |
| 32 | NUT 6KT M5 DIN934 | 703028 |
| 33 | BELL CRANKE | 692415 |
| 34 | MOUNTING EYELET | 604262 |
| 35 | CAP | 371389 |
| 36 | MOUNTABLE BOWDEN CABLE 890/1086 LG | 1221288 |
| | MOUNTABLE BOWDEN CABLE 1020/1216 LG | 1221289 |
| | MOUNTABLE BOWDEN CABLE 1130/1326 LG | 1221290 |
| | MOUNTABLE BOWDEN CABLE 1320/1516 LG | 1221291 |
| | MOUNTABLE BOWDEN CABLE 1430/1626 LG | 1221292 |
| | MOUNTABLE BOWDEN CABLE 1620/1816 LG | 1221293 |
| | MOUNTABLE BOWDEN CABLE 1790/1986 LG | 1221294 |
| | MOUNTABLE BOWDEN CABLE 2700/2896 LG | 1231584 |
| | MOUNTABLE BOWDEN CABLE 2800/2996 LG | 1231585 |
| 37 | BRACKET SCREW CONNECTION | 606395 |
| 38 | REDUCER FITTING | 606177 |
| 39 | COVERING CAP | 375901 |
| 40 | SPARE PARTS SET | 245097 |
| 41 | SPARE PARTS SET | 245096 |
| 42 | SWING ARM LEFT LI KPL MONT | 573943 |
| | CONTAINS SPARE PART SET POS 40/41 | |
| | SWING ARM RIGHT KPL MONT | 573944 |
| | CONTAINS SPARE PART SET POS 40/41 | |

The retail sale of brake jaws is not permissible by EU Directive from 01. Oct. 2002

ATTENTION POS 6, 16, 24 oddly orderable or in set brake jaw 1213890 contained.

| provided | ETI-No. | changed | Change-No. | Reason of the change | Revisions-No. |
|----------|-----------|------------|------------|----------------------|---------------|
| 27.07.10 | 811591_en | 27.10.2010 | 16318 | see change notice | B |