

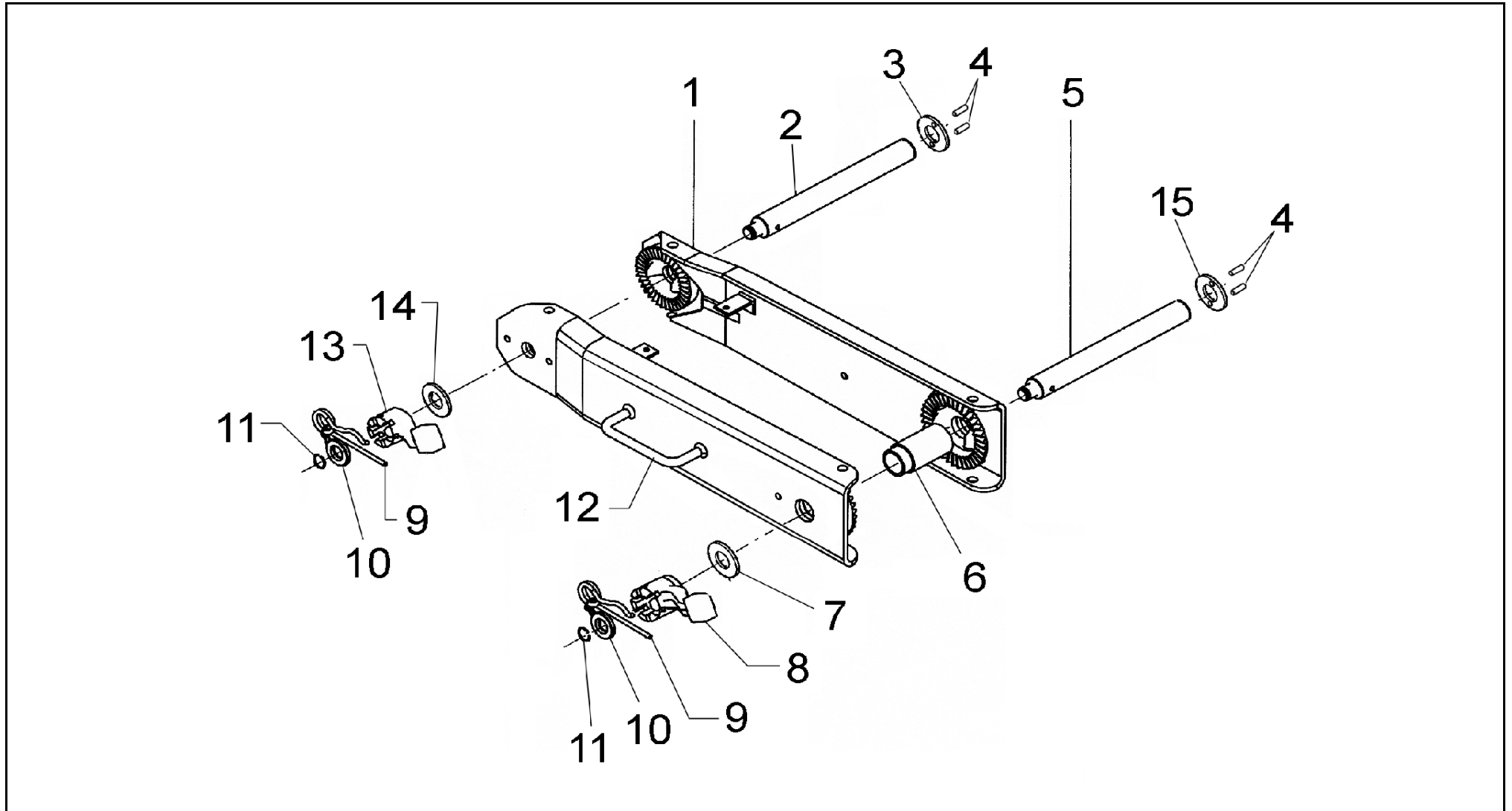
# DISTANCE ARM CPL 353 VB

ETI- No. 811551

(Specify the order with the ETI No.)



Spare Parts



Item	Description	Drawing No.
1	DISTANCE ARM WELDED RIGHT	1310774
2	BEARING BOLT M24X1,5	372778
3	LOCKING WASHER	375103
4	POP RIVET DIN 7337 A 6,4X12	702704
5	BEARING BOLT M30X1,5	606089
6	BUSH	604419
7	WASHER S32X45X2,5	702079
8	LOCKING HANDLE	366139
9	SPRING COTTER PIN WITH CHAIN	604104
10	BOLT	372771
11	SNAP RING A22 DIN 7993	702366
12	DISTANCE ARM WELDED LEFT	1313814
13	LOCKING HANDLE	366673
14	WASHER S25x36x2,0 DIN 988	701914
15	LOCKING WASHER	375104

Item	Description	Drawing No.

provided	ETI-No.	changed	Change No.	Reason of the change	Revisions-No.
08.09.08	811551_en	19.05.2009	FREIGABE		A