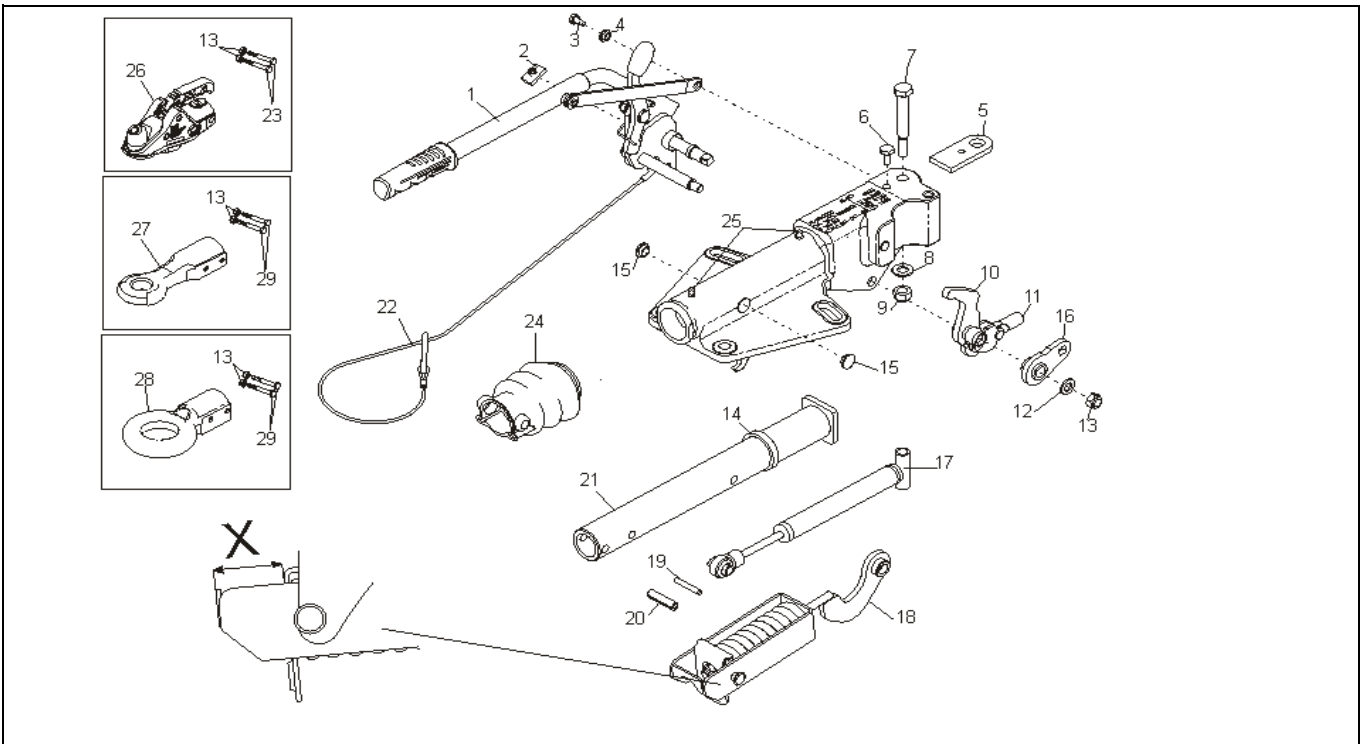


OVERRUN DEVICE PROFI 3000 AK301 LOWER LEVER STRAIGHT

ETI- No. 811549

(Specify the order with the ETI No.)

AL-KO
Spare Parts



Item	Description	Drawing No.	
1	HAND BRAKE LEVER LOWERABLE PROFI (INCL. POS 2 AND POS 22)	693001	
2	RUBBER STOP COLLAR	693076	
3	BOLT 8x16 933-8.8 A3C	703570	
4	BUSH	692645	
5	END STOP PLATE	692258	
6	BOLT 8x16 933-8.8 A3C	703571	
7	BOLT 14x110 931-8.8 A3C	701992	
8	WASHER A15 A125-ST A3C	704622	
9	NUT HEX M14 985-10 A3C	701568	
10	BELL CRANK	90:27	692237
		90:30	692711
		90:33,5	692712
11	JOINT HEAD	625767	
12	WASHER A13 A125-ST A3C	700140	
13	NUT HEX M12 980-V-8A3C	704065	
14	WASHER A15 125-ST	704622	
15	STOPPER	372416	
16	CROSSBAR PLT	692087	
17	SHOCK ABSORBER AE 3000	1217089	
18*	SPRING BAND CPL	X=42 mm	693106
		X=50 mm	693116
19	SPRING DOWEL PIN 7x48	704407	
20	SPRING DOWEL PIN 12x48	704408	

Item	Description	Drawing No.
21	DRAW TUBE	692281
22	BRAKE AWAY CABLE	209385
23	BOLT 12x85 931-8.8 A3C	703551
24	BELLOWS OVERRUN DEVICE	366356
25	GREASE NIPPLE AS 8x1 CONUS 71412	700204
26	COUPLING AK 301	1221746
27	DIN DRAWBAR EYE	132426
28	NATO DRAWBAR EYE	1362508
29	BOLT 12x90 931-10.9 A3C	703341

* COMPRESSION SPIRING ADJUSTMENT AT THE
 693106: LENGTH X = 42mm ONLY FOR ONE-AXLE TRAILER! **GRAVE EA** AT THE OVERRUN DEVICE.
 693116: LENGTH X= 50 mm ONLY FOR TANDEM-AXLE TRAILER **GRAVE TA** AT THE OVERUN DEVICE.

provided	ETI-No.	changed	Change No.	Reason of the change	Revisions-No.
09.04.10	811549_de		FREIGABE		A