

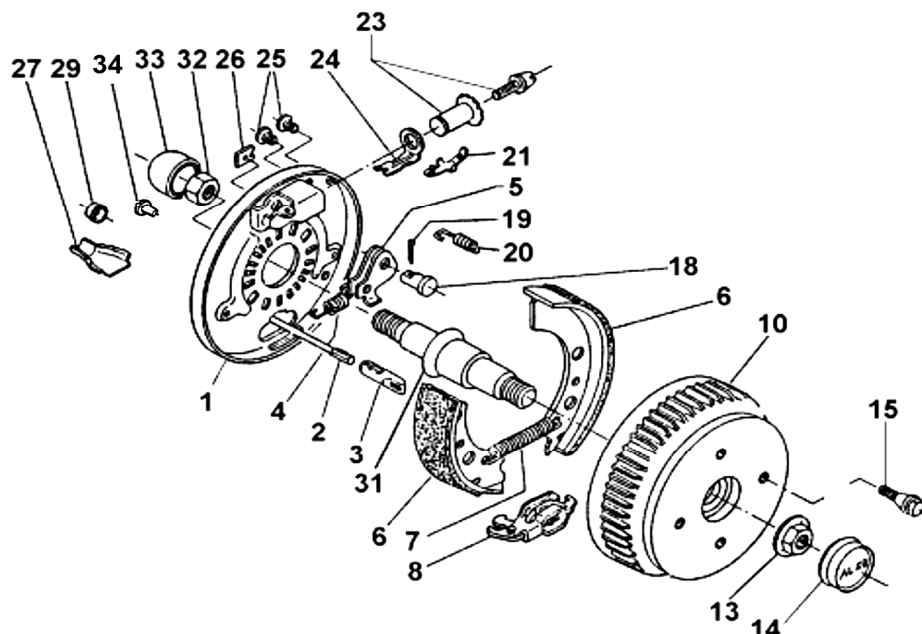
WHEEL BRAKE 2361 EURO1 WD FLUSHING SYSTEM

ETI- No. 811530

(Specify the order with the ETI No.)

AL-KO

Spare Parts



Item	Description	Drawing No.
1	BRAKING PLATE WELDED LEFT BRAKING PLATE WELDED RIGHT	692566 692567
2	BOWDEN CABLE 350/ 560 BOWDEN CABLE 530/ 740 BOWDEN CABLE 770/ 980 BOWDEN CABLE 890/1100 BOWDEN CABLE 1020/1230 BOWDEN CABLE 1130/1340 BOWDEN CABLE 1320/1530 BOWDEN CABLE 1430/1640 BOWDEN CABLE 1620/1830 BOWDEN CABLE 1790/2000	247281 247282 247283 247284 247285 247286 247287 247288 247289 247290
3	CONNECTION EYE	604262
4	TENSION SPRING	2187370003
5	AUTO-REVERSE LEVER LEFT	571386
5	AUTO-REVERSE LEVER RIGHT	571387
6	SET BRAKE JAW	1213890
7	TENSION SPRING	2082000007
8	SPREAD HINGE LOCK	571510
10	BREAK DRUM CPL 112x5/M12x1,5 BREAK DRUM CPL 140x5/M14x1,5 COMPACT-BEARING-SET comprised - BALL BEARING WATERPROOF - LOCKING RING 78x2,5 - FLANGE NUT (POS13)	1337624* 1373696* 1224806

Item	Description	Drawing No.
13	FLANGE NUT	582506**
14	CAP	1337300
15	WHEEL BOLT CONUS M12x1,5 WHEEL BOLT BALL M12x1,5	2081670018 2081670020
18	BEARING BOLT	368651
19	SPLINT 4x20 DIN 94	700192
20	COMPRESSION SPRING	2088800003
21	FLAT SPRING	368405
23	ADJUSTING BOLT AND ADJUSTING NUT	21873708
24	COMPRESSION BINDER	368361
25	STOPPER 10x13x11	373245
26	COVER PLATE	2382610002
27	BOWL	371387
29	CAP	371389
31	STUB AXLE FOR SWINGARM 1300 - 1800 KG	582541
32	SELF-LOCKING NUT	703112
33	PROTECTION CAP	582542
34	STOPPER	691945

The retail sale of brake jaws is not permissible by EU Directive from 01.Oct 2002!
Attention: POS7, 20, 26 oddly orderable or in set brake jaw 1213890 contained.

* POS 10: BREAK DRUM incl. BALL BEARING WATERPROOF AND LOCKING RING 78x2,5.
** POS 13: FLANGE NUT ODDLY ORDERABLE OR IN COMPACT-BEARING-SET 1224806 CONTAINED.

provided	ETI-No.	changed	Change No.	Reason of the change	Revisions-No.
24.07.07	811530_en	09.04.2009	FREIGABE		A