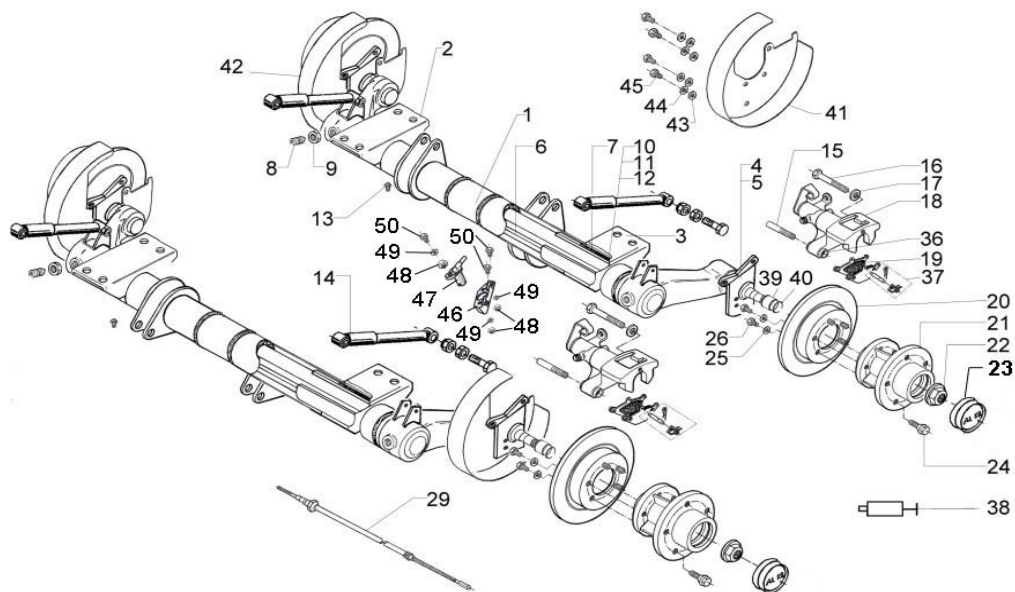


# TORSION BAR AXLE BRA 16250

ETI- No. 811524

(Specify the order with the ETI No.)

**AL-KO**  
Spare Parts



Item	Description	Drawing No.
1	AXLE TUBE CPL FRONT (incl. pos. 6 and 7) *	1371450
1	AXLE TUBE CPL BACK (incl. pos. 6 and 7) *	1371449
2	AXLE BLOCK CPL LH (incl. pos. 10 to 13) *	1370562
3	AXLE BLOCK CPL RH (incl. pos. 10 to 13) *	1370563
4	SWING ARM CPL LH	1373417
5	SWING ARM CPL RH	1373418
6	TORSION BAR	1371289
7	BEARING BUSH	L2057110
8	THREADED PIN M20X1,5	L2058710
9	NUT M20X1,5	L2058980
10	BEARING 80X85X40	650204
11	O-RING 81X4	704759
12	SEALING RING 65X85X8	704758
13	NIPPLE	L2035820
14	SHOCK ABSORBER	1214573
15	BEARING BOLT **	1562336
16	BOLT HEX M10X85 DIN931	702658
17	WASHER A10,5 DIN125	705396
18	BRAKE CALIPER LH ***	690807
18	BRAKE CALIPER RH ***	690808
19	BRAKE PAD SET ***	691508
20	BRAKE DISC ****	690812
21	HUB 34 TEETH	1362996
22	FLANGE NUT M24X1,5	581200
23	END CAP	1363301

Item	Description	Drawing No.
24	WHEEL BOLT BALL M14X1,5	2081670002
25	SPRING RING B12 DIN127	705485
26	BOLT HEX M12X30 DIN933	705457
29	BOWDEN CABLE 1130/1340	1224364
29	BOWDEN CABLE 1620/1830	1224365
36	BUSHES SET ****	1221259
37	REPAIR KIT (SPRINGS/BOLTS)	1220261
38	GREASE FOR SLIDING SURFACES	1337020
38	GREASE FOR BEARING BOLTS	1337019
39	BEARING INNER RING 50X55X25	705565
40	SNAP RING A50 DIN7993	705566
41	MUDGUARD LH	1362479
42	MUDGUARD RH	1362480
43	WASHER 8,4 DIN9021	705493
44	SPRING RING B8 DIN127	705394
45	BOLT M8X20 DIN933	705453
46	SADDLE BRACKET	1362886
47	KAB ABV SENSOR	1336445
48	WASHER 6,4 DIN125	705398
49	SPRING RING B6 DIN127	705393
50	BOLT M6x20	705509

**ATTENTION:** Use flange nut pos. 22 only one time!

\* Marking:

Axle tube FRONT

2 weld points on the right cylinder-fastener

Axle tube BACK

1 weld point on the right cylinder-fastener

\*\* grease bearing bolt on brake-service!

recommended grease: GM - 2 1970505 (AL-KO 1337019)

\*\*\* grease metallic sliding surfaces!

recommended grease: GM - 2 1948600 (AL-KO 1337020)

\*\*\*\* consisting of bearing bush (art.nr. 691307) and anti-friction bush (art.nr. 691308)

\*\*\*\*\* change brake discs only pairwise!

provided	ETI-No.	changed	Change No.	Reason of the change	Revisions-No.
18.06.07	811524_en	07.07.2009	FREIGABE		A