

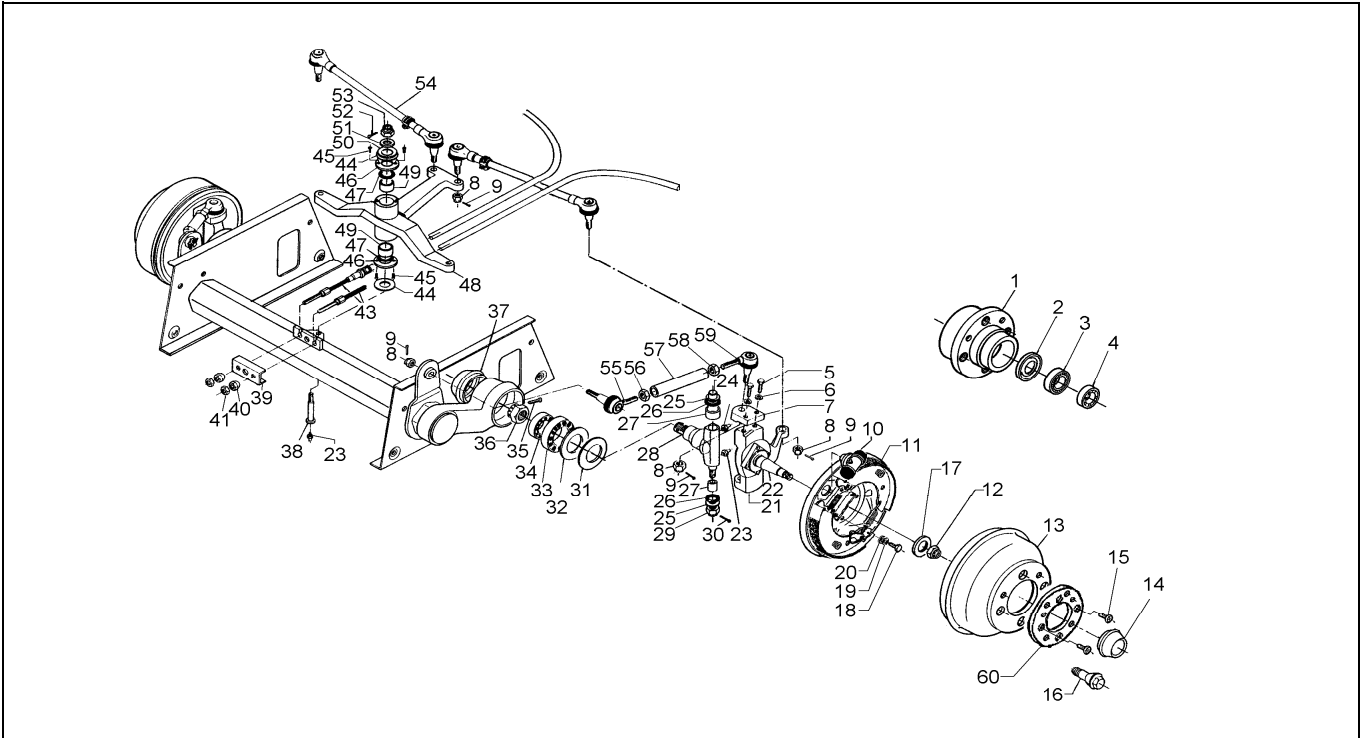
STEERING AXLE EA1800

ETI- No. 811518

(Specify the order with the ETI No.)

AL-KO

Spare Parts



Item	Description	Drawing No.
1	HUB CPL	366764
2	SEALING RING 68X50	366757
3	BEARING CONUS 32008X	702125
4	BEARING CONUS 32006X	701574
5	BOLT HEX M12X40 DIN933	700286
6	SPRING RING B12 DIN127	702000
7	PLATE LH	368340
7	PLATE RH	368468
8	CASTELLATED NUT M12 DIN937	702026
9	SPLINT 3,2X25 DIN94	702797
10	BRAKE ACTUATOR (included in pos. 11)	1360371
11	WHEEL BRAKE LH RZ 25,4	374627
11	WHEEL BRAKE RH RZ 25,4	374628
12	CASTELLATED NUT M22X1,5 DIN937 LH	366765
12	CASTELLATED NUT M22X1,5 DIN937 RH	366766
13	BRAKE DRUM	365102
14	END CAP	366761
15	COUNTERSUNK BOLT M8X30	703635
16	WHEEL BOLT CONUS M14X1,5	1362313
17	WASHER	366758
18	BOLT M14X1,5X55	1328937
19	SPRING RING B14 DIN127	702001
20	WASHER A15 DIN433	703439
21	BEARING FORK LH	589796
21	BEARING FORK RH	589797
22	AXLE JOURNAL LH	366762
22	AXLE JOURNAL RH	366763
23	GREASE NIPPLE H1S 8X1 DIN71412	701843
24	BOLT	589764
25	WASHER 22X32X2 DIN988	703468
26	O-RING 20X3,55 DIN3771	704424
27	BEARING BUSH (included in pos. 28)	703370

Item	Description	Drawing No.
28	AXLE JOURNAL CPL	610790
29	CASTELLATED NUT M16X1,5 DIN937	700754
30	SPLINT 4X28 DIN94	701035
31	SPACER RING	1312049
32	O-RING 92,5X5,3 DIN3771	704420
33	BEARING CONUS 30211	701774
34	BEARING CONUS 32208	703371
35	SPLINT 6,3X60 DIN94	700856
36	CASTELLATED NUT M33X1,5 DIN937	701277
37	END CAP	2589290011
38	BEARING BOLT	1312060
39	COMPENSATORY PROFILE	2385760002
40	SPHERIC NUT M8	2088890005
41	NUT HEX M8 DIN934	700108
43	BOWDEN CABLE 1160/1430	224331
44	SUPPORTING WASHER 30X42X0,5 DIN988	704423
45	BOLT M4X10 (included in pos. 48)	704418
46	CAP (included in pos. 48)	1312050
47	O-RING 30x3,55 DIN3771 (included in pos. 48)	704419
48	STEERING LEVER	1312059
49	BEARING BUSH (included in pos. 48)	702030
50	SUPPORTING WASHER 30X42X2 DIN988	704422
51	WASHER A21 DIN125	703436
52	SPLINT 4X36 DIN94	702003
53	CASTELLATED NUT M20X1,5 DIN935	704421
54	STEERING LINK	1312051
55	BALL JOINT	384250
56	NUT HEX M8X1,5 DIN934	702204
57	TUBE	368331
58	NUT HEX M18X1,5 LI DIN943	703415
59	BALL JOINT	384251
60	SPACER RING	1362314

provided	ETI-No.	changed	Change No.	Reason of the change	Revisions-No.
15.01.07	811518_en	09.07.2009	FREIGABE		A