

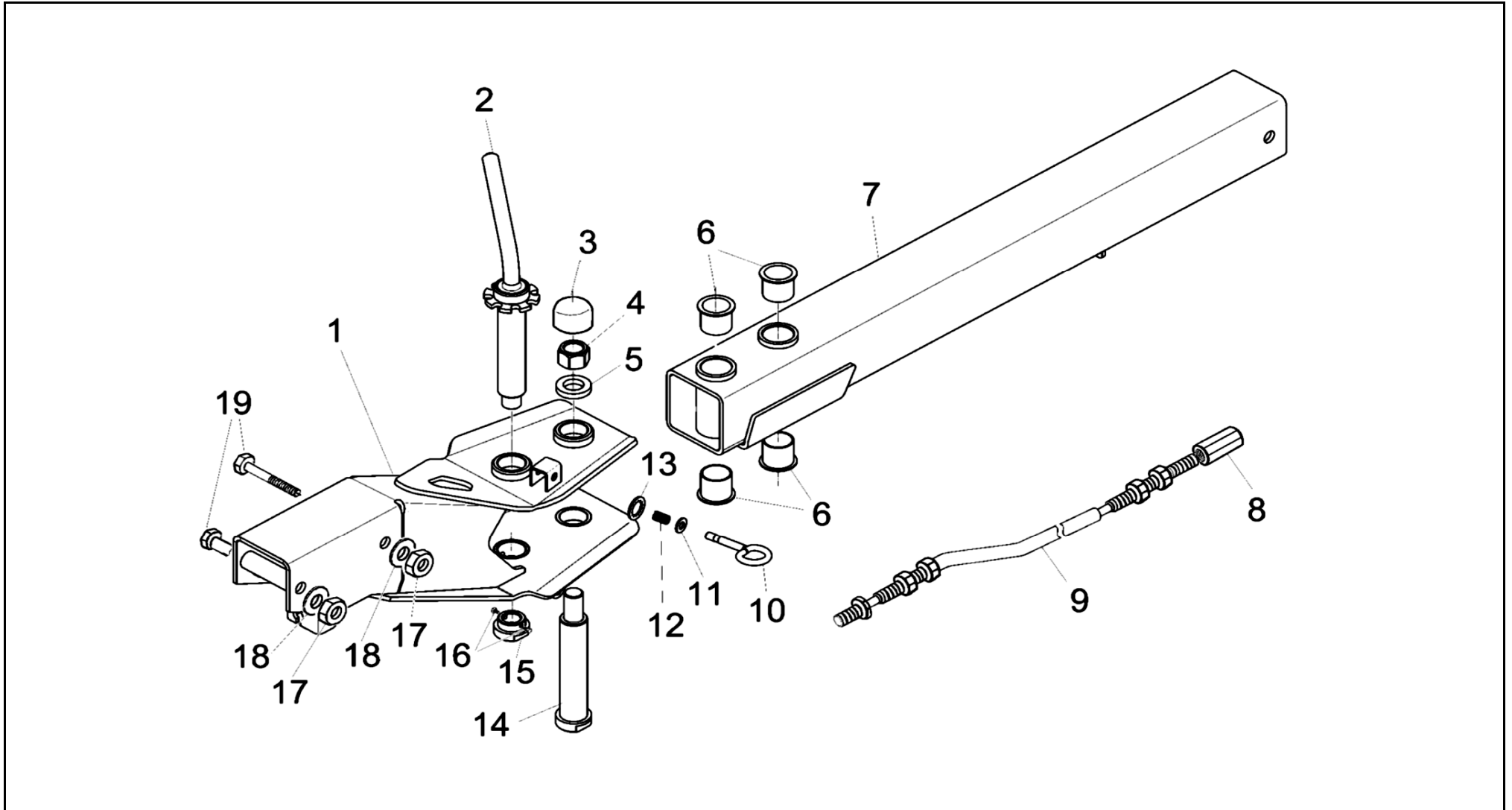
# DRAWBAR SWIVELING K26-S

ETI- No. 811500

(Specify the order with the ETI No.)



Spare Parts



Item	Description	Drawing No.
1	SWING PART	1337948
2	SPAN HANDLE	1338526
3	END CAP	348163
4	NUT HEX M24 DIN 980	705123
5	WASHER A26 DIN 7989	705124
6	BEARING BUSH	1360056
7	DRAWBAR - REPRESENT LENGTH AND TYPE BY PURCHASE ORDER	
8	NUT TURNBUCKLE M10	703431
9	BOWDEN CABLE	1292864
10	CONNECTOR	1360959
11	WASHER A 10,5 DIN 125	700139
12	Compression spring	372285
13	Lace 10SXN26	607801
14	Bearing bolt	1337887
15	Insert nut	1337886
16	Bolt hex M6x12 DIN 933-8	703568
17	Nut hex M16-10 DIN 985	702801
18	Washer A 17 DIN 125	700625
19	Bolt hex M16x140 DIN 981-10.9	704149

Item	Description	Drawing No.

provided	ETI-No.	changed	Change No.	Reason of the change	Revisions-No.
28.03.07	811500_en	11.05.2009	FREIGABE		A