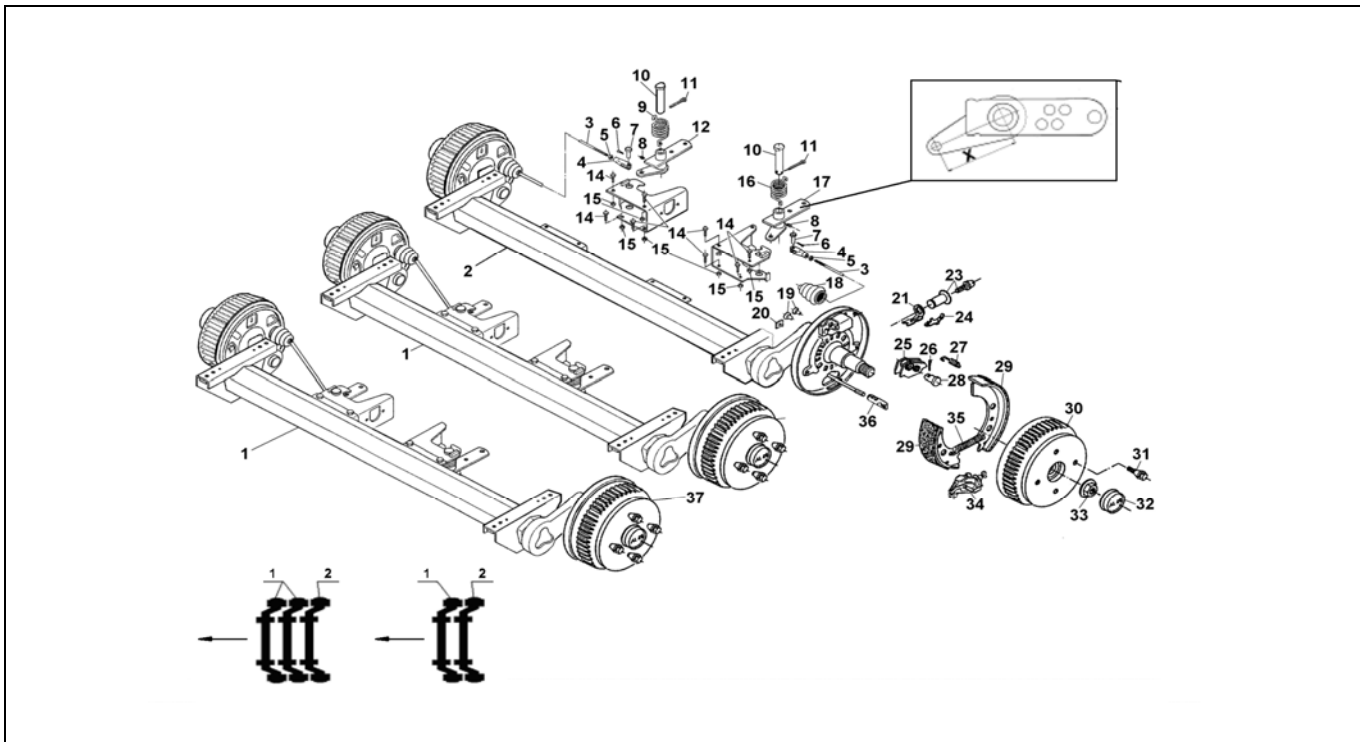


# AXLE BL2000 WITH WHEEL BRAKE 2361AR

ETI- No. 811486

(Specify the order with the ETI No.)

**AL-KO**  
Spare Parts



Item	Description	Drawing No.
1	AXLE 1	without ABP *
2	AXLE 2	with ABP *
3	DRAWBAR Ø10 (Specify lenght with order)	
4	FORK HEAD 10X40	700739
5	NUT HEX M10 DIN934	700109
6	SPLINT 3,2X20 DIN94	702004
7	BOLT B10 DIN1444	702795
8	NIPPLE AS 6X1 CONUS	700203
9	ROTATION SPRING RIGHT	358268
10	BOLT	1312391
11	SPLINT 6,3X36 DIN94	700197
12	BELL CRANK RIGHT (Measure X = 94)	1364897
12	BELL CRANK RIGHT (Measure X = 116)	1335958
14	BOLT HEX M12X30 DIN933	701987
15	NUT HEX M12 DIN985	702750
16	ROTATION SPRING RIGHT	358267
17	BELL CRANK LEFT (Measure X = 94)	1364896
17	BELL CRANK LEFT (Measure X = 116)	1335957
18	BELLOW	690650
19	STOPPER	373245
20	COVER PLATE	2382610002
21	COMPRESSION BINDER	368361
23	ADJUSTING BOLT AND ADJUSTING NUT	21873708
24	FLAT SPRING	368405
25	LOCKING LEVER	385248

Item	Description	Drawing No.
26	SPLINT 4X20 DIN94	700192
27	COMPRESSION SPRING	2088800003
28	BEARING BOLT	368651
29	SET BRAKE JAW	1213890
30	BRAKE DRUM ABV 112X5/M12X1,5	690673
30	BRAKE DRUM ABV 130X5/M14X1,5	1363979
31	WHEEL BOLT CONUS M12X1,5	2081670018
31	WHEEL BOLT BALL M12X1,5	2081670020
32	END CAP	582505
33	FLANGE NUT M27X2	582506
34	SPREAD HINGE LOCK LEFT	690627
34	SPREAD HINGE LOCK RIGHT	690628
35	TENSION SPRING	2082000007
36	CONNECTION EYE	690651
37	BRAKE DRUM 112X5/M12X1,5	573194
37	BRAKE DRUM 130X5/M14X1,5	1363978

\* ABP = Automatic blocking preventer

The retail sale of brake jaws is not permissible by EU Directive from 01.Oct 2002!

The compressed air brake system and the parts of the automatic blocking preventer are not included in the delivery contents of AL-KO!  
Please order this parts directly from the body manufacturer.

**ATTENTION:**

Pos. 20; 27 and 35 oddly orderable or in set brake jaw 1213890 contained.

provided	ETI-No.	changed	Change No.	Reason of the change	Revisons-No.
30.08.05	811486_en	14.07.2009	FREIGABE		A