

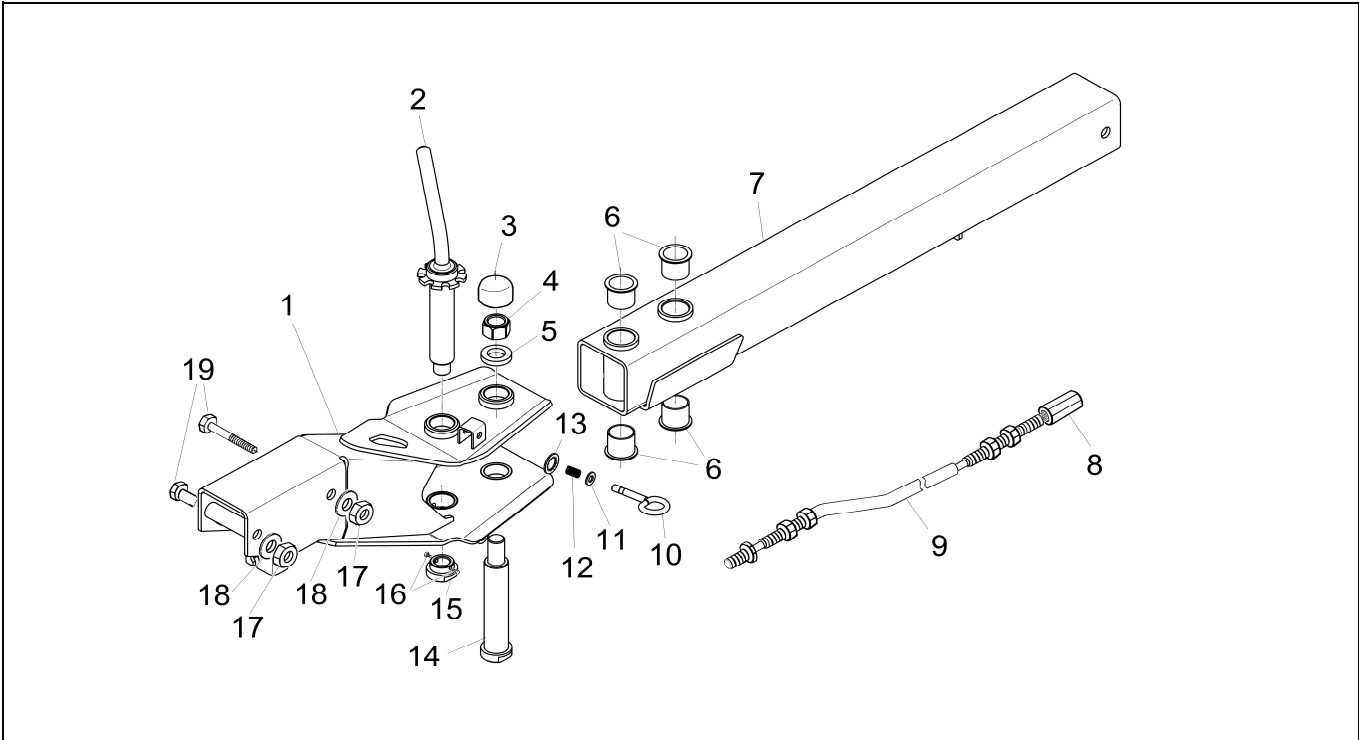
# SWIVELLING DRAWBAR K26-S

ETI- No. 811481

(Specify the order with the ETI No.)



Spare Parts



Item	Description	Drawing No.
1	SWIVELLING PART	1337948
2	SPAN HANDLE	1338526
3	STOPPER	348163
4	NUT HEX M24 DIN980	705123
5	WASHER A26 DIN7989	705124
6	BEARING BUSH	1360056
7	DRAWBAR (specify length and typ at the time of order)	
8	NUT TURNBUCKLE M10	703431
9	BOWDEN CABLE 1055/1360	1292864
10	COTTER	1338730
11	WASHER A10,5 DIN125	700139
12	COMPRESSION SPRING	372285
13	LACE 10SXN26	607801
14	BEARING BOLT	1337887
15	INSERT NUT	1337886
16	BOLT HEX M6X12 DIN933	703568
17	NUT HEX M16 DIN985	702801
18	WASHER A17 DIN125	700625
19	BOLT HEX M16X140 DIN981	704149

Item	Description	Drawing No.

provided	ETI-No.	changed	Change No.	Reason of the change	Revisions-No.
15.03.06	811481_en	14.07.2009	FREIGABE		A